

# Heritage

## Deluxe with Flexible Kit

SVK29  
SVK30

SHOWERING

### FEATURES

Dual-control  
thermostatic  
shower

Surface mounted

5 Year Guarantee

### FINISHES AVAILABLE

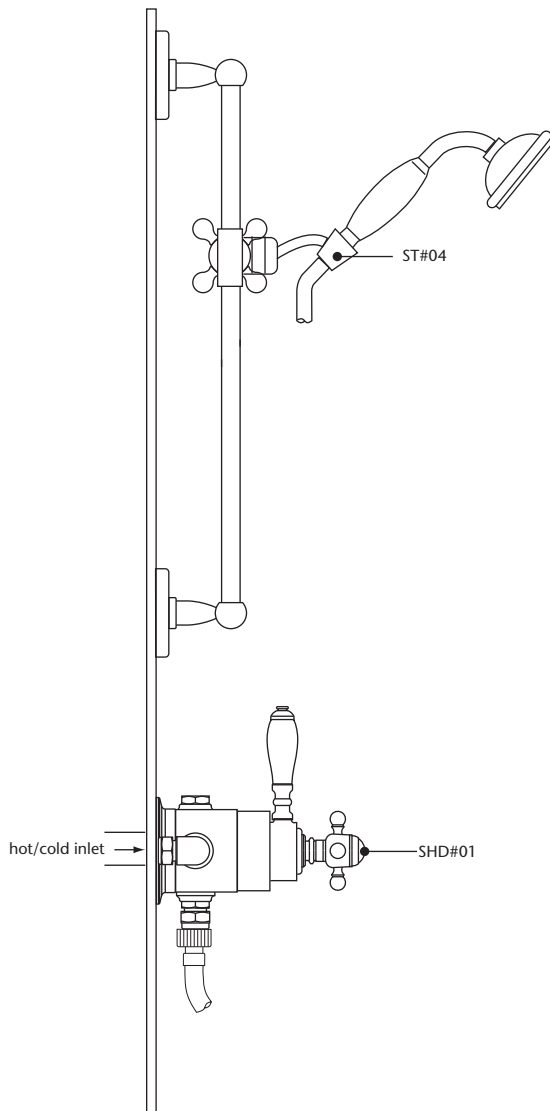
Chrome	SVK29
Antique Gold	SVK30

### INCLUDED COMPONENTS

Heritage Deluxe Thermostatic Valve	SHD#01
Heritage Flexible Kit	ST#04



### INSTALLATION DETAILS



### SPARE PARTS

Chrome traditional handset	QSP28
Gold traditional handset	QSP27
Seals kit for dual control thermo valve	QSP36
Cartridge assembly for dual control thermo valve	QSP39
Filters for shower valve	QSP77
Flow limiter set for shower valve	QSP78
Ceramic sleeve for shower valve handle	QSP79
Chrome elbows for shower valve	QSP111
Gold elbows for shower valve	QSP112
Standard indice ceramic for flow handle	QSP114
Chrome inlet elbow cover plates	QSP125
Gold inlet elbow cover plates	QSP126
Chrome flow handle for Heritage valve	QSP129
Gold flow handle for Heritage valve	QSP130

### PRODUCT DETAILS

Safety features include pre-set maximum temperature of 45° and instant shut-down if the water supply fails.

All Heritage showers are supplied with filters, check valves and optional flow restrictors to ensure efficient operation.

Thermostatic showers maintain a constant water temperature to within 1° regardless of the demand on the water supply.

Dual-control thermostatic showers allow separate adjustment of water temperature and flow, so you can set the temperature and simply turn the shower on or off.

Flexible Kit consists of adjustable height slide rail, flexible hose (1500mm) and shower handset.

Operating pressure	0.1 - 10.0 bar
Minimum recommended operating pressure with shower kits	0.1 bar
Shower body dimensions (H x W x D)	170 x 190 x 175mm
Shower body inlet centres	138 - 145mm

### FLOW RATES

	0.1 bar	0.2 bar	0.3 bar	0.4 bar	0.5 bar	1 bar	1.5 bar	2 bar	3 bar	4 bar	5 bar
SHD#01 & ST#04	3.3	4.6	5.6	6.6	7.4	10.6	12.48	14.99	18.36	21.20	23.70

Flow rates are measured in litres per minute

### FEATURES

Chrome or  
Antique Gold  
Dual control valve  
5 Year Guarantee



Logo as it  
appears on product: HERITAGE  
BATHROOMS

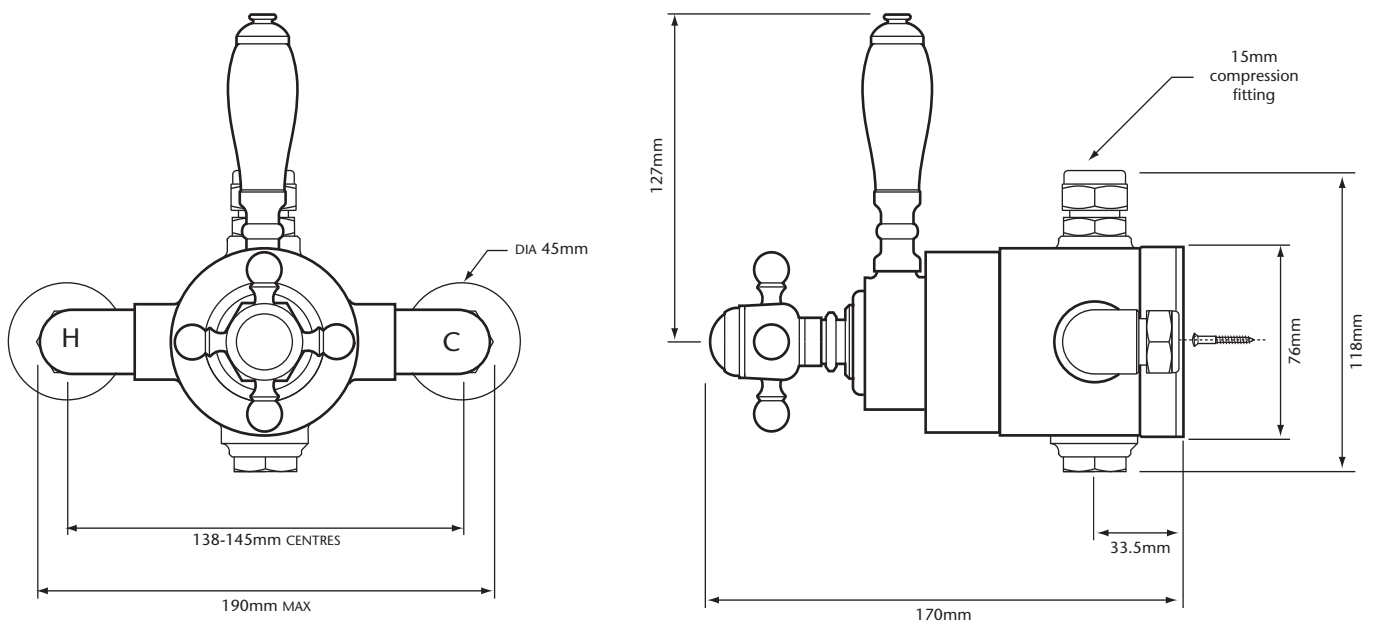
### FINISHES AVAILABLE

Chrome	SHDC01
Antique Gold	SHDA01

### INCLUDED COMPONENTS

Heritage Deluxe Thermostatic Valve	SHD#01
Packed Weight	3 Kgs
Packed Size	185 x 240 x 195mm

### DIMENSIONS



### FEATURES

- Chrome or Antique Gold
- Single mode handset
- 5 Year Guarantee



### FINISHES AVAILABLE

Chrome	STC04
Antique Gold	STA04

### INCLUDED COMPONENTS

Heritage Flexible Kit	ST#04
Packed Weight	2 Kgs
Packed Size	95 x 980 x 525mm

### DIMENSIONS

