



Shaker

Bar Valve with Flexible Kit

SVK14

SHOWERING

FEATURES

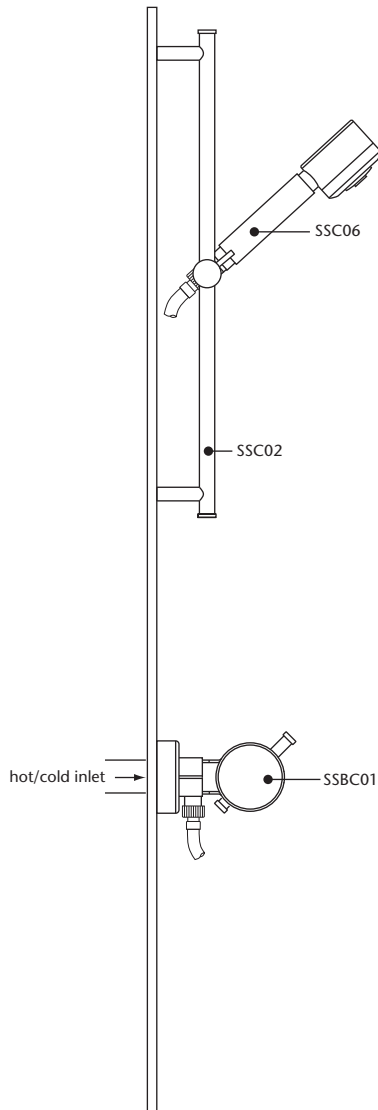
- Chrome finish
- Dual-control thermostatic shower
- Multifunction handset
- Surface mounted
- 5 Year Guarantee



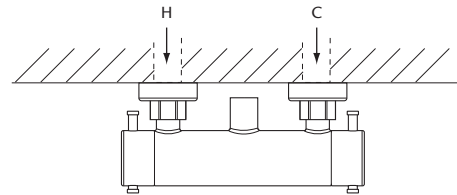
INCLUDED COMPONENTS

Shaker Bar Valve	SSBC01
Shaker Riser Bar & Hose	SSC02
Shaker Deluxe Handset	SSC06

INSTALLATION DETAILS



RECOMMENDED INSTALLATION



SPARE PARTS

Filters for shower valve	QSP77
Flow limiter set for shower valve	QSP78

PRODUCT DETAILS

Safety features include pre-set maximum temperature of 45° and instant shut-down if the water supply fails.

All Heritage showers are supplied with filters, check valves and optional flow restrictors to ensure efficient operation.

Thermostatic showers maintain a constant water temperature to within 1° regardless of the demand on the water supply.

Dual-control thermostatic showers allow separate adjustment of water temperature and flow, so you can set the temperature and simply turn the shower on or off.

Flexible Kit consists of adjustable height slide rail, flexible hose (1500mm) and deluxe shower handset.

Operating pressure	0.1 - 10.0 bar
Minimum recommended operating pressure with shower kits	0.2 bar
Shower body dimensions (HxWxD)	75 x 254 x 125 mm
Shower body inlet centres	150mm

FLOW RATES

	0.1 bar	0.2 bar	0.3 bar	0.4 bar	0.5 bar	1 bar	1.5 bar	2 bar	3 bar	4 bar	5 bar
SSBC01 & SSC06	2.0	3.5	4.4	5.2	6.0	8.7	11	13	16.4	19.4	22.2

Flow rates are measured in litres per minute



Shaker Bar Valve


SSBC01

SHOWERING

FEATURES

- Chrome only
- Thermostatic dual control
- Dual control
- 5 Year Guarantee



Logo as it appears on product: 

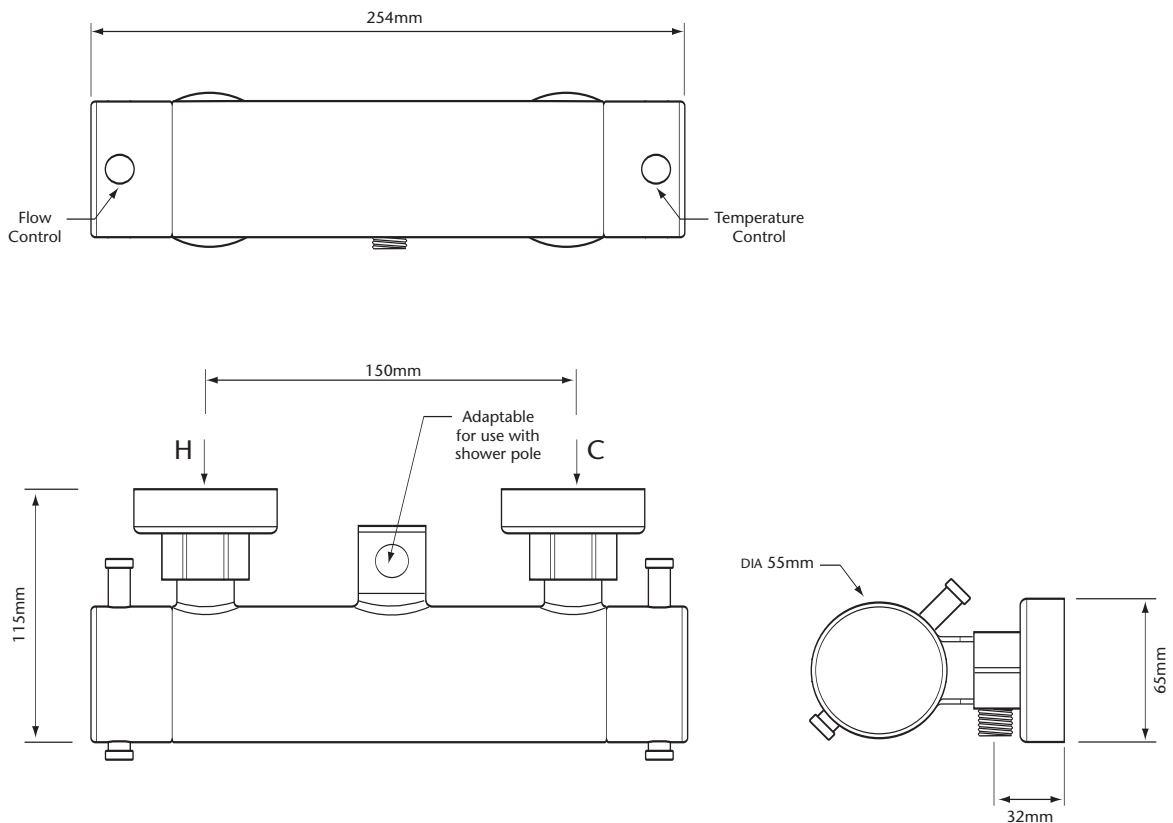
FINISHES AVAILABLE

Chrome

INCLUDED COMPONENTS

Shaker Bar Mixer	SSBC01
Packed Weight	4 Kgs
Packed Size	85 x 380 x 192mm

DIMENSIONS





Shaker

Deluxe Flexible Kit

SSC02
SSC06

SHOWERING

FEATURES

- 3 Adjustable Spray Patterns
- Chrome Only
- 5 Year Guarantee



FINISHES AVAILABLE

Chrome

SPARE PARTS

Chrome shower hose

QSP121

INCLUDED COMPONENTS

Shaker Riser Bar & Hose	SSC02
Packed Weight	1 Kg
Packed Size	50 x 570 x 130mm
Shaker Deluxe Handset	SSC06
Packed Weight	0.5 Kgs
Packed Size	95 x 242 x 95mm

DIMENSIONS

