



Shaker

Deluxe Exposed with Flexible Kit

SVK07

SHOWERING

FEATURES

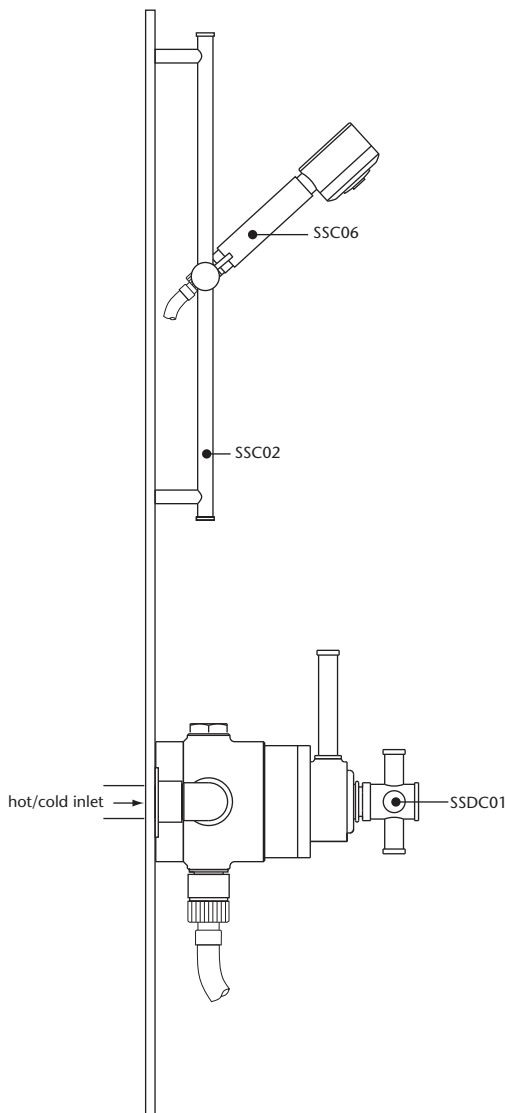
- Chrome finish
- Dual-control thermostatic shower
- Multifunction handset
- Surface mounted
- 5 Year Guarantee



INCLUDED COMPONENTS

Shaker Deluxe Exposed Valve	SSDC01
Shaker Riser Bar & Hose	SSC02
Shaker Deluxe Handset	SSC06

INSTALLATION DETAILS



SPARE PARTS

Filters for shower valve	QSP77
Flow limiter set for shower valve	QSP78

PRODUCT DETAILS

Safety features include pre-set maximum temperature of 45° and instant shut-down if the water supply fails.

All Heritage showers are supplied with filters, check valves and optional flow restrictors to ensure efficient operation.

Thermostatic showers maintain a constant water temperature to within 1° regardless of the demand on the water supply.

Dual-control thermostatic showers allow separate adjustment of water temperature and flow, so you can set the temperature and simply turn the shower on or off.

Flexible Kit consists of adjustable height slide rail, flexible hose (1500mm) and shower handset.

Operating pressure 0.1 - 10.0 bar

Minimum recommended operating pressure with shower kits 0.1 bar

Shower body dimensions (H x W x D) 140 x 195 x 172mm

Shower body inlet centres 152 - 159 mm

FLOW RATES	0.1 bar	0.2 bar	0.3 bar	0.4 bar	0.5 bar	1 bar	1.5 bar	2 bar	3 bar	4 bar	5 bar
SSDC01 & SSC06	5.6	8.3	10.4	12.1	13.6	19.7	24.13	27.86	34.12	39.40	44.05

Flow rates are measured in litres per minute



Shaker

Deluxe Exposed Dual Control Valve


SSDC01

SHOWERING

FEATURES

- Chrome only
- Dual control valve
- Surface mounted
- 5 Year Guarantee



Logo as it appears on product: 

FINISHES AVAILABLE

Chrome

INCLUDED COMPONENTS

Shaker Exposed THM Valve

SSDC01

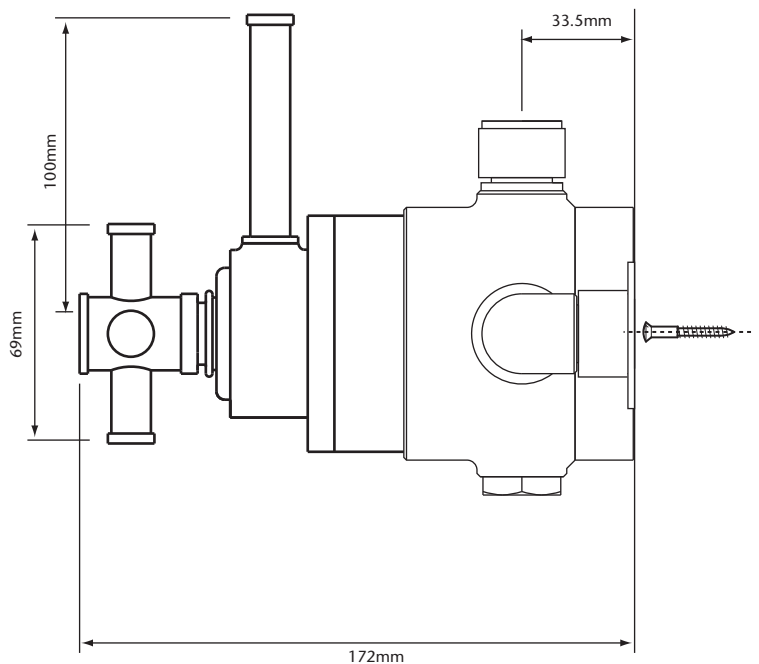
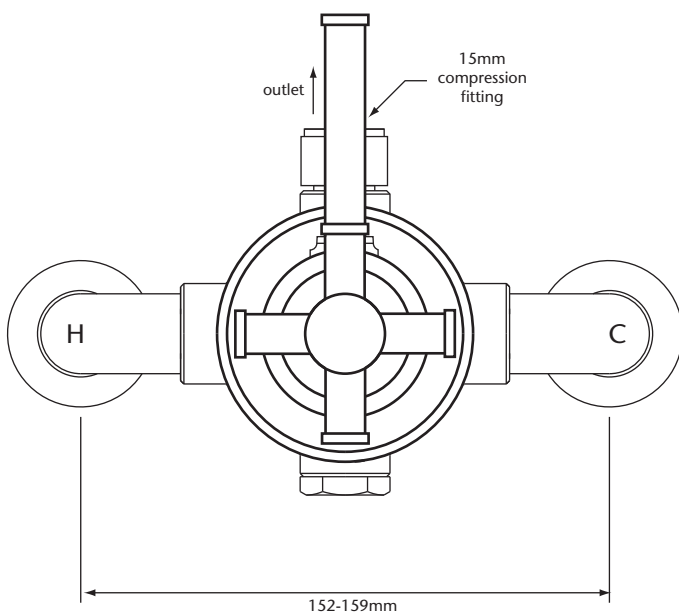
Packed Weight

3 Kgs

Packed Size

187 x 241 x 195mm

DIMENSIONS





Shaker

Deluxe Flexible Kit

SSC02
SSC06

SHOWERING

FEATURES

- 3 Adjustable Spray Patterns
- Chrome Only
- 5 Year Guarantee



FINISHES AVAILABLE

Chrome

SPARE PARTS

Chrome shower hose

QSP121

INCLUDED COMPONENTS

Shaker Riser Bar & Hose	SSC02
Packed Weight	1 Kg
Packed Size	50 x 570 x 130mm
Shaker Deluxe Handset	SSC06
Packed Weight	0.5 Kgs
Packed Size	95 x 242 x 95mm

DIMENSIONS

